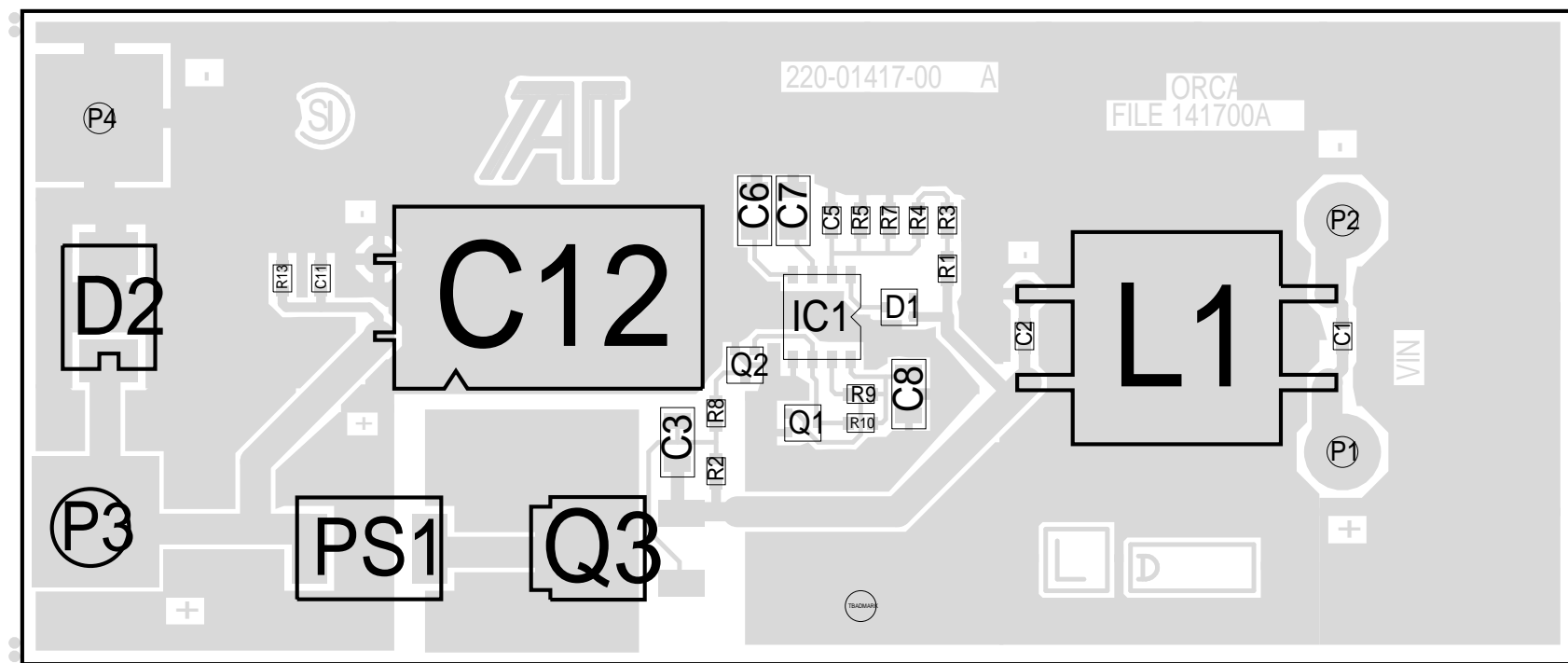
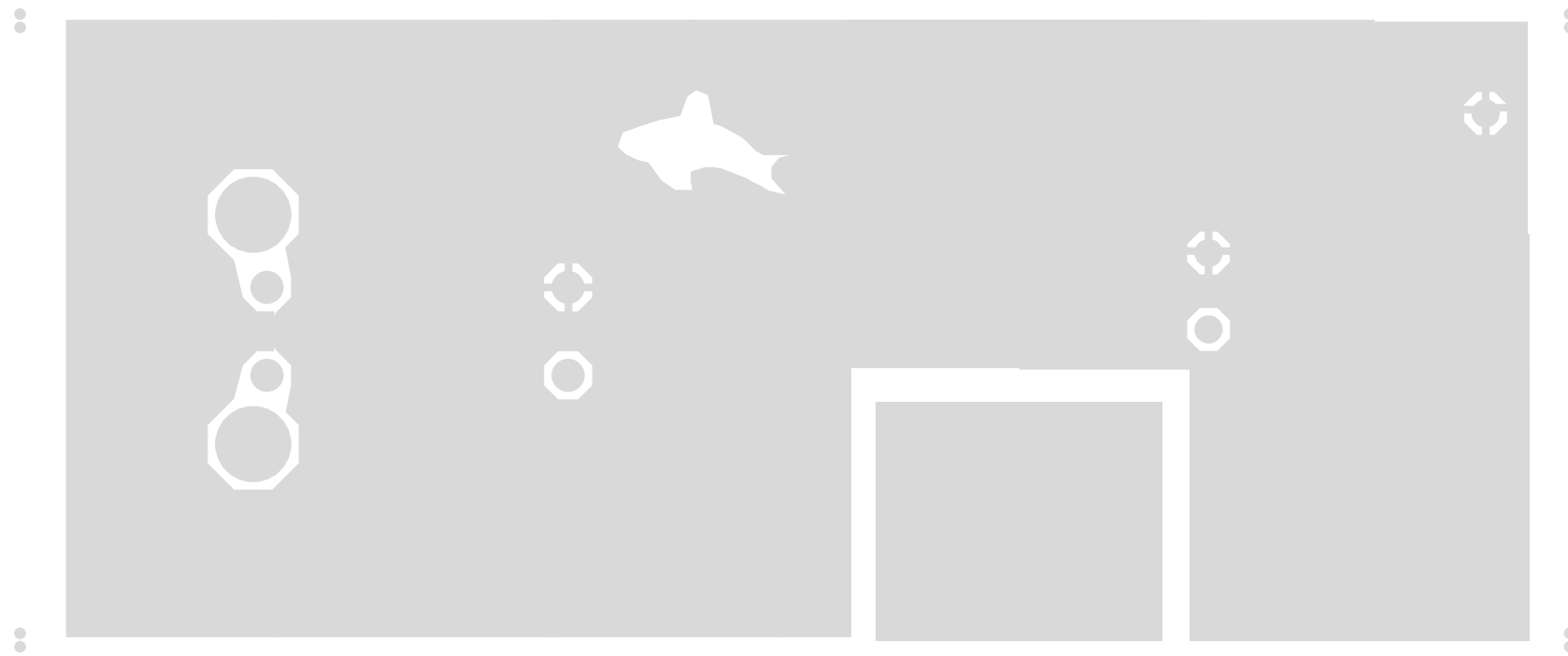


© TAIT ELECTRONICS	
BATTERY ELIMINATOR ORCA	
IPN: 220-01417-00	ISSUE: A
ID.:2.SC. 1	
PROJECT: ORCA	DESIGNER: SD
FILE NAME: 141700A	FILE DATE: 21/07/97
NO.SHEETS: 1	

REV/ISS	AMENDMENTS	DRAWN	CHKD	D.O.	APVD	DATE
---------	------------	-------	------	------	------	------



ORCA BATTERY ELIMINATOR
220-01417-00 A TOP COPPER



ORCA BATTERY ELIMINATOR
220-01417-00 A BOTTOM COPPER